

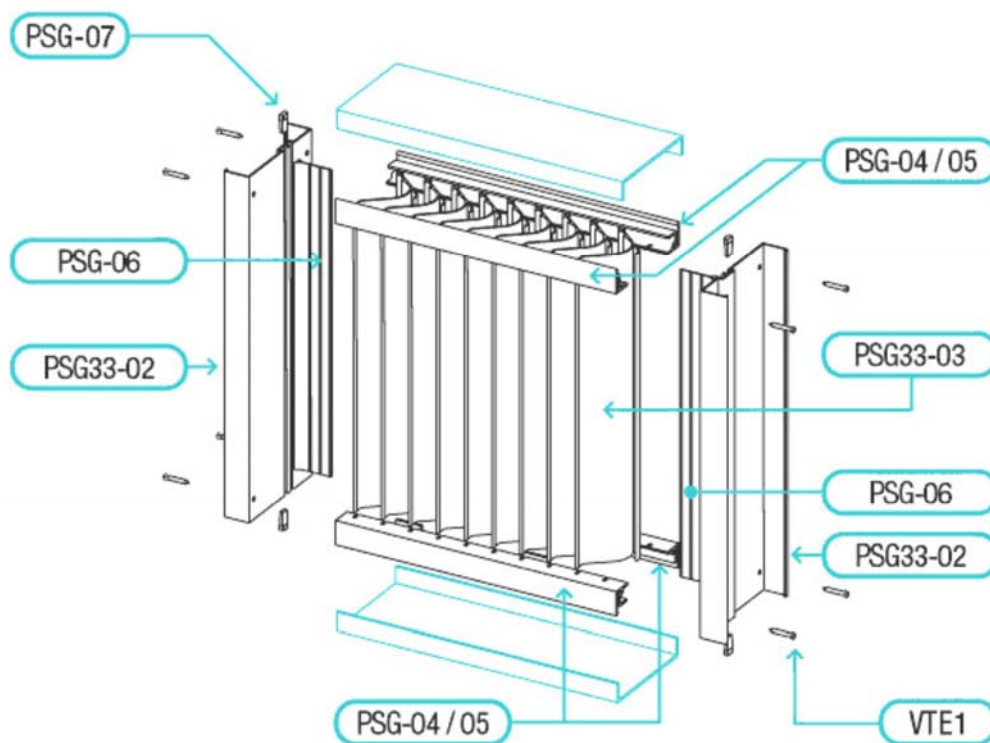
AIRPAK PSG Droplet Eliminator Specification

The PSG Droplet Eliminators are of an extruded aluminium casing and polypropylene blade design. The eliminators are specially designed to meet the elimination of water droplet needs from air intakes, and downstream of cooling coils and humidifiers. They are available in three styles:

The PSG 10 eliminator is a medium performance eliminator for air velocities between 2 & 6m/s, featuring low pressure drop and good performance down to a small droplet size. Primarily suited to fitting after humidifiers and at inlets to AIRPAK air handling units.

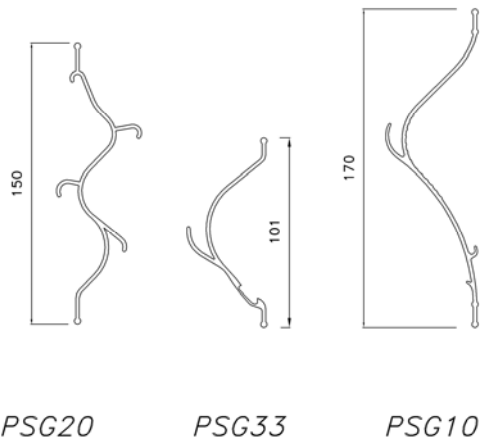
The PSG 20 eliminator is a high performance eliminator designed to be used for severe conditions. Featuring a triple bank design with four weather stops, it is suitable for air velocities between 1 & 4m/s. This eliminator is particularly useful for where the droplet size is small e.g. humidifiers and fog.

The PSG 33 eliminator is a compact cost effective eliminator designed to be used for air velocities between 2 & 5m/s with a minimal air pressure drop. These are ideally suited to fitting after coils and at inlets to AIRPAK air handling units.



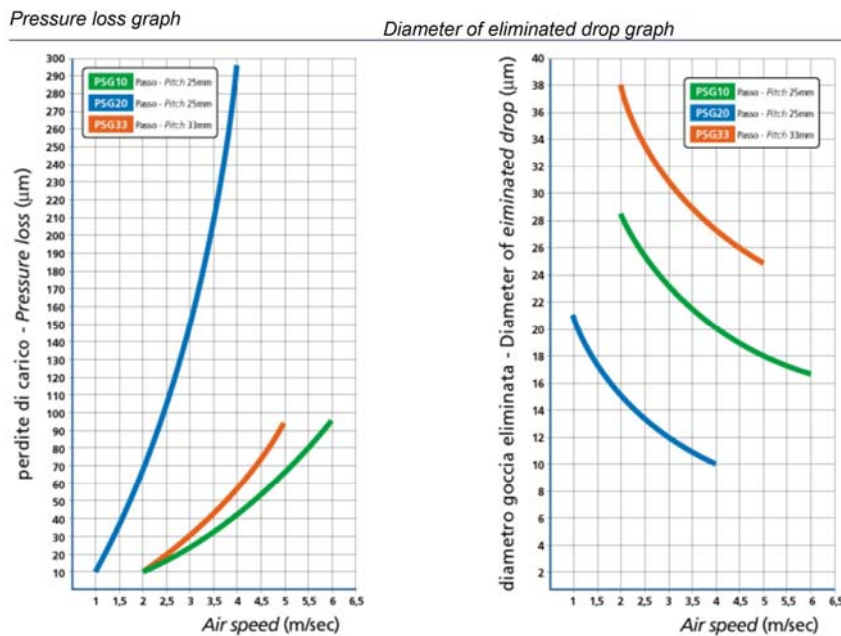
Exploded View of PSG 33 Eliminator





Eliminator Blade Profiles

The PSG eliminators have been an independently laboratory tested for pressure drop and droplet elimination performance, as per the following graphs.



Pressure Drop & Performance Characteristics of AIRPAK type PSG Droplet Eliminators

