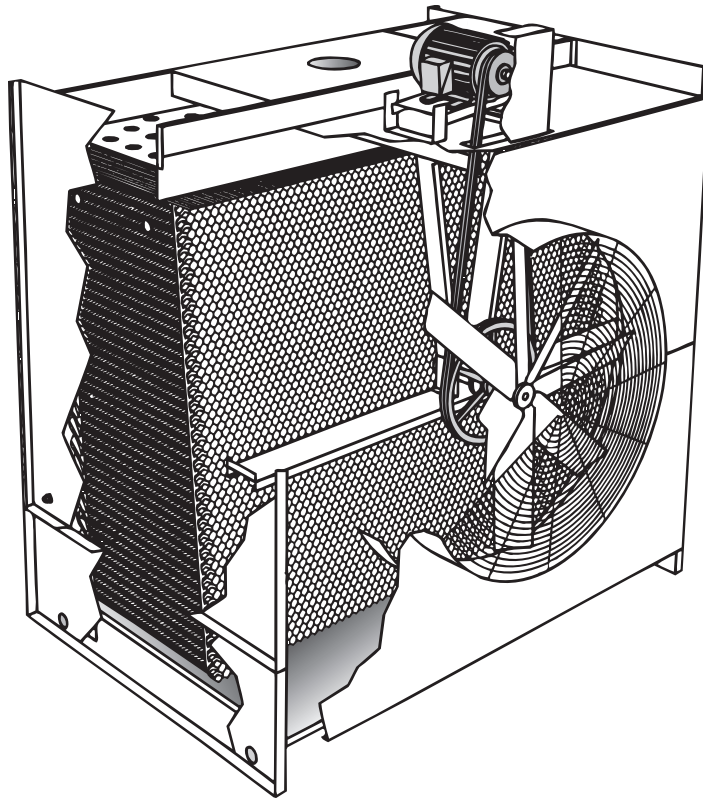


**SPX**®



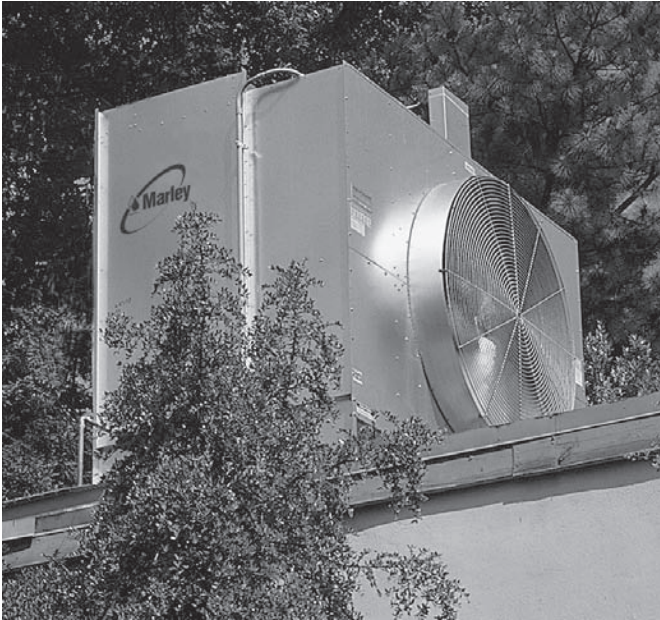
**> Marley**

Aquatower Steel Cooling Tower



- **Proven Performance.** CTI Certified. Plus SPX stands by its responsibility for reliable thermal performance. We designed it. We rate it. ***We guarantee it!***
- **Induced-Draft Design.** Save on fan power. The fan will operate in a warm atmosphere even in winter, so you'll *never* have to work on frozen mechanical equipment.
- **Crossflow Design.** Save on pump power because you only pay to move the water to the top of the tower. Gravity does the rest. The mechanical equipment and water distribution system are out where you can easily maintain them.
- **All-Season Reliability.** Aquatowers perform as specified in the heat of summer. They respond well to energy management techniques in the spring and fall and with appropriate fan controls, they can operate virtually ice-free in the dead of winter. Plus they offer simple maintenance all year long.
- **Proven Corrosion Protection.** Thousands of users over more than 60 years confirm the value of heavy galvanizing. And Marley's G-235 is the most effective galvanizing used in the industry.
- **PVC Film Fill with Integral Drift Eliminators and Louvers.** If you've ever had to replace deteriorated eliminators or louvers, you'll appreciate this advantage. Integral honeycomb louvers keep the circulating water inside your tower.
- **Select Your Aquatower on Our Website.** The Marley *UPDATE* web-based selection software—available at [spxcooling.com/update](http://spxcooling.com/update)—provides Aquatower model recommendations based on your specific design requirements
- **Simple, Flexible Installation.** Just mount the motor, belts and belt guard, install the outlet connection that suits your needs—both side suction and bottom outlet are provided, complete with screens—and adjust the float valve and your Aquatower is ready for operation.





Today's Aquatower may be the most space/energy-efficient cooling tower available. Your needs have dictated constant technological improvement. Thousands of Aquatower users enjoy the benefits of eight major redesigns and dozens of minor improvements in the past 60 years. For example, PVC film-fill enables the Aquatower to reject more heat per unit size. We also put the air inlet louvers and drift eliminators right on the fill sheets. This new arrangement saves you fan horsepower by improving airflow through the tower.

The Aquatower is a maintenance delight! You'll appreciate the way the Aquatower simplifies maintenance. No hidden spray systems, tiny nozzles, or enclosed basins here! You can easily replace and align V-belts from outside the tower.

All primary components of the Aquatower are open to view. You can easily remove any debris from the upper basin or nozzles while the tower is in operation.

Heavy mill galvanizing on all steel components prevents base metal corrosion. You won't have to worry about paint chips clogging your strainers and nozzles, because there is no paint to flake off. Heavy galvanizing also protects much better than paint.

You'll enjoy single source responsibility and reliability because we design and manufacture virtually all major cooling tower components.

All Marley components are designed and selected to be a part of an integrated system. For example, the spray pattern from nozzles and the pressure drop through drift eliminators both affect a fill's heat transfer capacity. So, we include that impact in our thermal analysis. Drift eliminators must be effective at the air velocities where fill is most efficient. So, we've carefully designed both components to work together efficiently.

How many other cooling tower companies can offer you this assurance? They may use one brand of nozzle with brand of fill and another manufacturer's drift eliminators. When they all come together, the whole may be less than the sum of the parts.

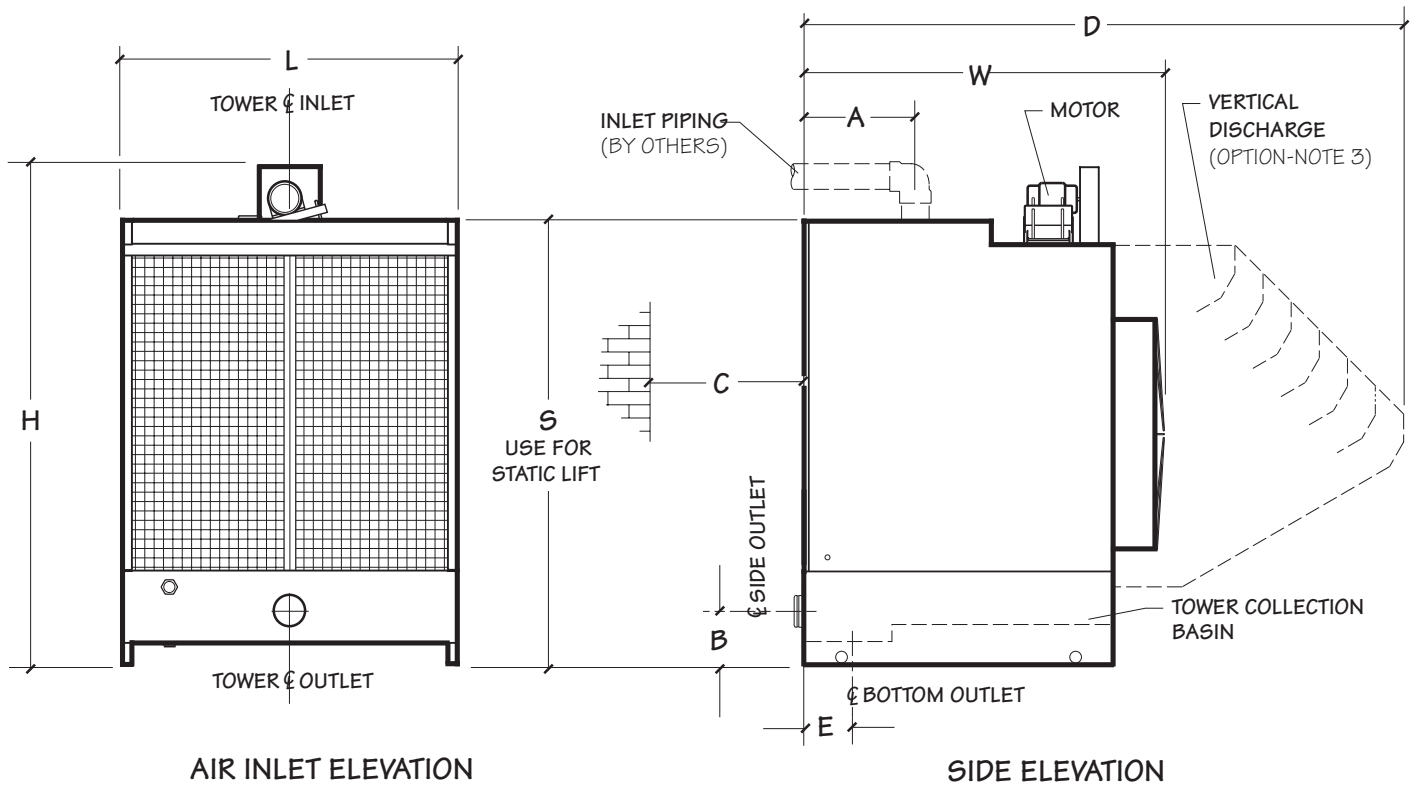
Our total system approach assures that all the parts work together to provide you the greatest total performance. And because we design specifically for cooling towers, all our components will provide many years of service with minimal maintenance.

Every Aquatower cooling tower carries a full one-year warranty. The Aquatower you buy from us will work on your job or we'll make it right. Your warranty includes thermal performance and every component of the tower. The SPX Cooling Technologies warranty is your assurance of performance—for a full year.

Above all, the Aquatower is readily available. You won't have to wait around—or accept second best—when you need a cooling tower. We maintain an impressive stock of completed towers at our own plants. A growing number of local distributors can draw from that stock.

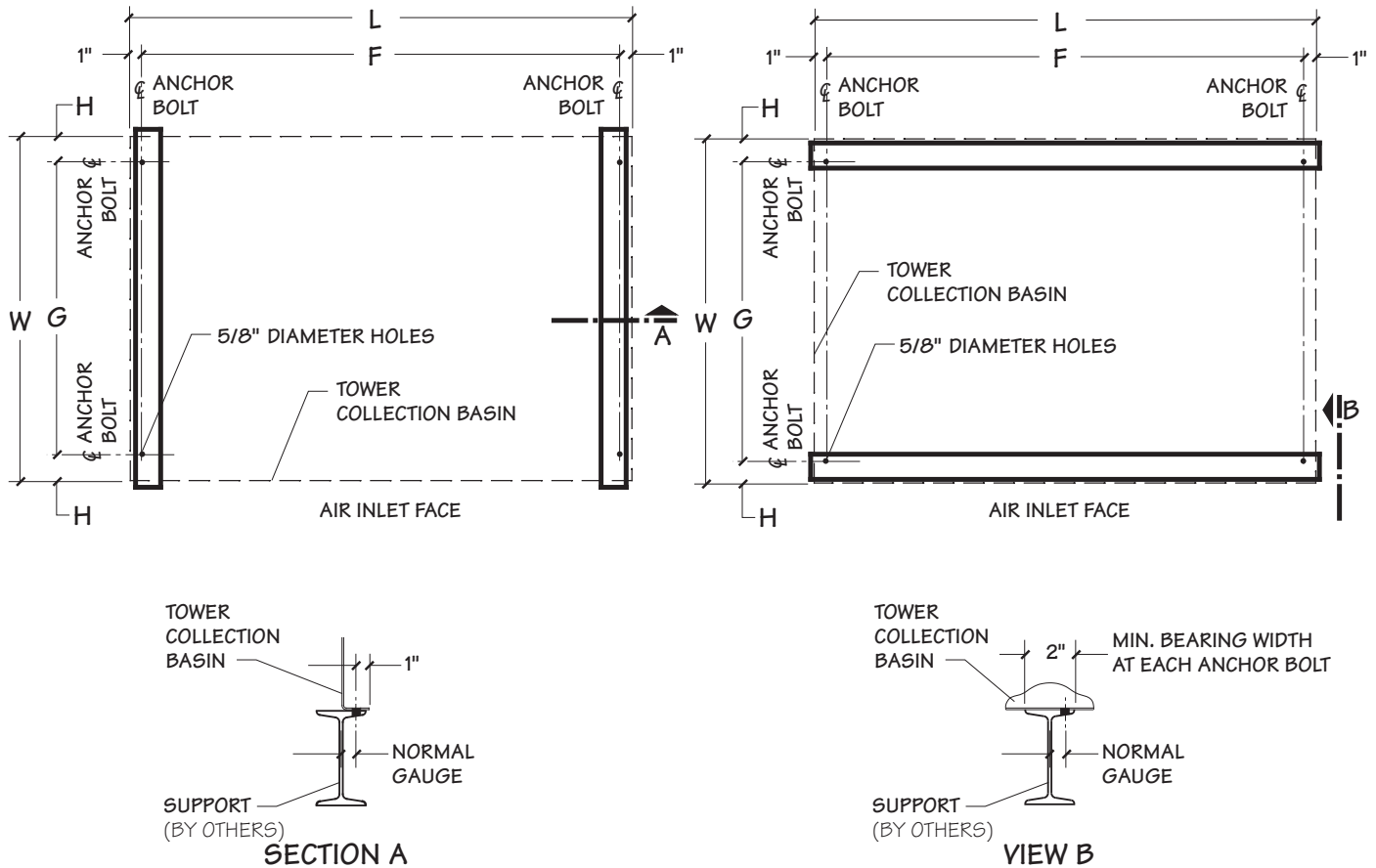
The Aquatower has inspired many imitators. Only SPX Cooling Technologies can offer you the original.

Contact your local distributor or Marley representative. They'll be glad to help you choose the proper model for your needs. They can also help you with your layout and piping.



Tower Model	Nominal Tons note 1	Dimensions									Motor hp	Piping Connection	
		L	W	H	A	B	C note 2	D	E	S		Inlet	Outlet note 6
490A	8	2'-11 1/2"	4'-2 3/8"	5'-3 3/8"	1'-3 3/8"	6 7/8"	2'-0"			4'-4"	1/3	2"	2" F
490D	10	2'-11 1/2"	4'-2 3/8"	5'-3 3/8"	1'-3 3/8"	6 7/8"	2'-0"	note 3	note 6	4'-4"	1	2"	2" F
492D	22	3'-11 1/2"	5'-0 3/4"	7'-4 1/2"	1'-5"	9 1/2"	4'-0"			8"	1	4"	4" M
492G	28	3'-11 1/2"	5'-0 3/4"	7'-4 1/2"	1'-5"	9 1/2"	4'-0"	note 3		8"	2	4"	4" M
493G	36	5'-11 1/2"	5'-1"	7'-4 1/2"	1'-5"	9 1/2"	5'-0"			8"	2	4"	4" M
493H	42	5'-11 1/2"	5'-1"	7'-4 1/2"	1'-5"	9 1/2"	5'-0"	note 3		8"	3	4"	4" M
494G	51	5'-11 1/2"	6'-5 5/8"	9'-0"	1'-11 1/8"	11 1/2"	6'-0"	10'-8"	9 1/4"	7'-10 1/2"	2	6"	6" MC
494H	57	5'-11 1/2"	6'-5 5/8"	9'-0"	1'-11 1/8"	11 1/2"	6'-0"	10'-8"	9 1/4"	7'-10 1/2"	3	6"	6" MC
494K	68	5'-11 1/2"	6'-5 5/8"	9'-0"	1'-11 1/8"	11 1/2"	6'-0"	10'-8"	9 1/4"	7'-10 1/2"	5	6"	6" MC
495K	80	7'-11 1/2"	6'-5 3/4"	9'-0"	1'-11 1/8"	11 1/2"	7'-0"	10'-8"	9 1/4"	7'-10 1/2"	5	6"	6" MC
495M	91	7'-11 1/2"	6'-5 3/4"	9'-0"	1'-11 1/8"	11 1/2"	7'-0"	10'-8"	9 1/4"	7'-10 1/2"	7 1/2	6"	6" MC
496K	111	9'-11 1/2"	6'-6 1/8"	9'-8 1/4"	1'-11 3/8"	11 1/2"	9'-0"	10'-11 1/8"	9 1/4"	8'-7"	5	6"	6" MC
496M	126	9'-11 1/2"	6'-6 1/8"	9'-8 1/4"	1'-11 3/8"	11 1/2"	9'-0"	10'-11 1/8"	9 1/4"	8'-7"	7 1/2	6"	6" MC

- Nominal tons are based upon 95°F HW, 85°F CW, 78°F WB, and 3 GPM/Ton. The Marley **UPDATE** web-based selection software provides Aquatower model recommendations based on specific design requirements.
- Minimum clearance for adequate air supply. Consult your Marley sales representative or your local distributor if this clearance is impractical for your job.
- Vertical discharge hood is for applications in restrictive enclosures or other locations where horizontal discharge is not desirable. CTI Certification does not apply when this option is selected. Available only on models 494 and larger.
- Motors less than 1 hp are 115/230 volt, single-phase TENV. 1 hp through 7.5 hp motors are 230/460 volt, 3-phase TEFC.
- Motor, belt and belt guard ship uninstalled. Installation by others.
- Outlet sizes shown are side outlets. All models except 490A and 490D have connections for both side and bottom outlet. Install the desired connection and seal the unused opening with the coverplate provided. Pump suction should use side outlet. See page 9 for size and flow capacities of bottom outlets.
- Overflow is a 2" F connector located in side of collection basin.
- Drain is a 2" F connection located in collection basin floor.
- Makeup valve connection is 3/4" M located in tower side.



Tower Model	Dimensions					Shipping Weight lb	Maximum Operating lb	Maximum Operating Load at Anchor lb	Wind Load lb	
	L	W	F	G	H				Max. Vertical Reaction at Anchor	Max. Horizontal Reaction at Anchor
490	2'-11 1/2"	3'-4 1/4"	2'-9 1/2"	3'-0"	2 1/8"	437	756	185	180	115
492	3'-11 1/2"	4'-1 1/8"	3'-9 1/2"	3'-6"	3 1/8"	742	1396	349	355	210
493	5'-11 1/2"	4'-1 1/8"	5'-9 1/2"	3'-6"	3 1/8"	982	1995	499	525	285
494	5'-11 1/2"	5'-6 1/8"	5'-9 1/2"	5'-0"	3 1/8"	1398	2948	737	555	355
495	7'-11 1/2"	5'-6 1/8"	7'-9 1/2"	5'-0"	3 1/8"	1758	3853	963	745	470
496	9'-11 1/2"	5'-6 1/8"	9'-9 1/2"	5'-0"	3 1/8"	2096	4751	1188	1095	640
Models with Vertical Discharge Hood Option										
494	5'-11 1/2"	5'-6 1/8"	5'-9 1/2"	5'-0"	3 1/8"	1798	3348	837	700	515
495	7'-11 1/2"	5'-6 1/8"	7'-9 1/2"	5'-0"	3 1/8"	2133	4233	1058	745	515
496	9'-11 1/2"	5'-6 1/8"	9'-9 1/2"	5'-0"	3 1/8"	2596	5251	1313	1095	640

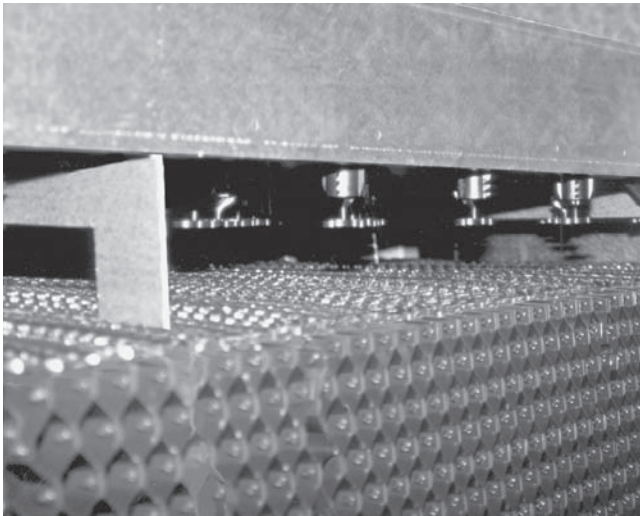
1. Use this bulletin for preliminary layouts only. Obtain current drawings from your Marley sales representative or your local distributor.
2. Purchaser to provide tower supports complete with holes and bolts for anchorage. All supports must be framed flush and level at top. Maximum deflection to be 1/360th of span, not to exceed 1/2".
3. Maximum weight occurs with basin full to overflow level at shutdown. Actual operating weight varies with GPM and piping scheme.
4. Wind loads are based on 30 psf and are additive to operating loads. Reactions due to wind loads exceed those resulting from seismic loads based on the 1997 UBC code, Zone 4 and an Importance Factor of 1.00 per Section 1634—Towers Not on a Building.

Use this data for preliminary layouts only. Obtain current drawing from your Marley sales representative.

**UPDATE** web-based selection software available at [spxcooling.com/update](http://spxcooling.com/update) provides Aquatower model recommendations based on customer's specific design requirements.

■ **Water Distribution System**

Warm water flows through external piping (not included with the tower) into a splash box at the top of the Aquatower. This splash box prevents the incoming water from spilling out of the basin and helps provide uniform water distribution. Water then flows by gravity from the basin through nozzles to the fill. Hot water distribution basin covers are provided as standard equipment to keep the distribution basin free from airborne debris and to reduce the likelihood of biological growth.



Eliminator air-seal removed showing distribution area above fill

All Aquatowers use Marley “Spiral Target” nozzles. These inert polypropylene nozzles are evenly spaced throughout the distribution basin to assure uniform water distribution over all portions of the fill. Their large openings resist clogging. Nozzles are easy to remove and replace if you ever want to change the design water flow rate.



Marley Spiral Target distribution nozzle

■ **Fill/Louvers/Drift Eliminators**

Marley MX Fill features integral louvers and drift eliminators, designed to minimize resistance to airflow. This patented arrangement prevents water from escaping the fill, assuring proper heat transfer throughout wide variations in airflow. Users find MX fill operates ice-free even in extremely cold weather.

The thermoformed 15 mil (.015”) thick PVC fill sheets withstand hot water temperatures as high as 125°F. Fill sheets are immune to biological and corrosive decay and their flame spread rating is less than 25 per ASTM E-84. Galvanized structural tubes support and stabilize the fill. They also hold the bottom of the fill sheets above the cold water basin floor to simplify basin cleaning. Removable 1" x 1" mesh galvanized air inlet screens keep larger airborne trash out of the collection basin and fill area.



MX Fill

■ **Cold Water Collection Basin**

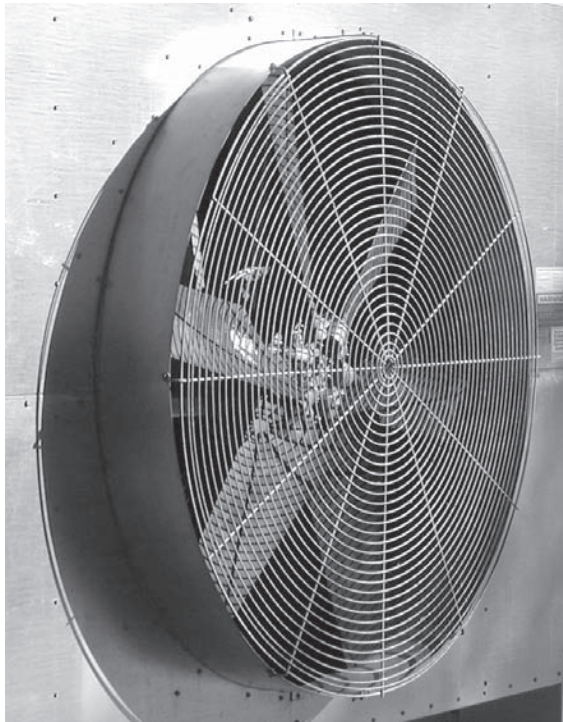
The Aquatower’s collection basin reduces operating weight, simplifies basin cleaning, and assures proper outflow. Water flows from the elevated area under the fill into the basin’s rear depressed section, where side suction piping connects. A bottom outlet is also available for gravity flow applications.

Standard equipment on each tower basin includes: a screened suction connection; a threaded overflow connection, a threaded and plugged drain connection and a float-operated make-up valve. Models 492 through 496 also include a bottom outlet conforming to 125# flange specification. A blank cover plate is provided to seal the outlet opening if not used.

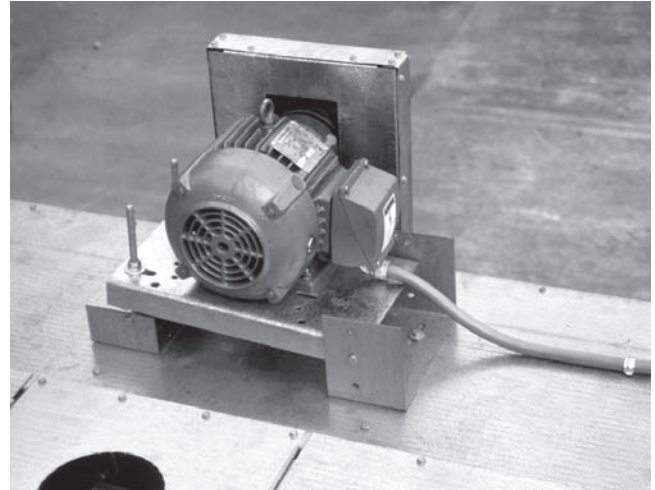
■ **Mechanical Equipment**

Belt-drive propeller fans ensure design airflow at minimum horsepower. Fans are supported by a stainless steel fan shaft in a cast iron oil-lubricated tapered roller bearing assembly with remote oil reservoir.

For ease of maintenance all drive components are accessible from outside the tower.



Fan and fan guard. Guard is easily removed for access to fan and drive belts



Fan drive motor showing adjustable base and belt guard

■ **Hoisting and Handling**

Hoisting instructions on each tower explains how to use a spreader-bar and slings beneath the cold water basin floor to hoist the Aquatower. The tower's design also allows easy handling with a forklift.

■ **Safety**

Standard Aquatower safety features include fan guards and belt guards. Fan guards consist of welded heavy gauge steel wire hoops and spokes, hot dip galvanized after fabrication. The galvanized steel belt guard encloses both belts and pulleys. Guards are easily removed for servicing.

■ **Construction and Finish**

Aquatowers offer the corrosion protection of G-235 galvanized—providing a zinc thickness of 2.35 oz/ft<sup>2</sup> per ASTM A-653—providing long term protection for the steel. Assembly hardware is also galvanized.

Fan drive motors are TEFC designed specifically for cooling tower use. Standard motor horsepower appear in the table on page 4. Other types of motors are available. Typical options appear under Optional Accessories on page 10.

**△ CAUTION**

*The cooling tower must be located at such distance and direction to avoid the possibility of contaminated discharge air being drawn into building fresh air intake ducts. The purchaser should obtain the services of a Licensed professional Engineer or Registered Architect to certify that the location of the cooling tower is in compliance with applicable air pollution, fire and clean air codes.*



When the ambient air temperature falls below 32°F, the water in a cooling tower can freeze. *Marley Technical Report #H-003 “Operating Cooling Towers in Freezing Weather”* describes how to prevent freezing during operation. Ask your Marley sales representative for a copy or download from our website.

Water collects in the cold water basin during shutdowns, and may freeze solid. You can prevent freezing by adding heat to the water left in the tower. Or, you can drain the tower and all exposed piping at shutdown.

**■ Electric Basin Heaters**

Choose from two types of automatic basin heater systems, based on your site conditions and preferences.

You may choose a heater system consisting of these components (shipped separately for installation by others):

- Stainless steel electric immersion heater element(s). Threaded couplings are provided for installation.
- NEMA 4 enclosure containing these components:
  - Magnetic contactor to energize heater.
  - Transformer to convert power supply to 24 volts for control circuit.
  - Solid state circuit board for heater control and low-water cutoff.
 Enclosure may be mounted on the side of the tower.
- Control probe to monitor water temperature and water level. Threaded couplings are provided for installation.

Or you may prefer a pre-assembled submersible tank-type heater which requires no tower modification and can plug into a standard grounded 3-prong 120V outlet.

The Incoloy heater element was chosen for its long life in submerged environments. A built-in thermostat senses water temperature and controls the supply of electricity to maintain proper water temperature. A built-in safety switch cuts off power whenever the element is exposed to air. The element mounts in the tower basin on a stainless steel plate.

Any exposed piping that is still filled with water at shutdown—including the makeup water line—should be electrically traced and insulated (by others).

**■ Indoor Tank Method**

With this system, water flows from an indoor tank, through the load system, and back to the tower, where it is cooled. The cooled water flows by gravity from the tower to the tank located in a heated space. At shutdown, all exposed water drains into the tank, where it is safe from freezing.

The table on page 9 lists typical drain-down capacities for all Aquatower models. Although we do not produce tanks, many of our representatives offer tanks supplied by reputable manufacturers.

The amount of water needed to successfully operate the system depends on the tower size, GPM and the volume of water contained in the piping system to and from the tower. You must select a tank large enough to contain those combined volumes—plus a level sufficient to maintain a flooded suction on your pump. Control makeup water according to the level where the tank stabilizes during operation.

You should always use a bottom outlet for this type of piping system. The table on page 9 lists the flow capacities for bottom outlets.

Basin Heater Selection				
Tower Model	+10°F Ambient		-10°F Ambient	
	Tank Heater	Component Heater	Tank Heater	Component Heater
490	1.5 kW	3 kW	1.5 kW	3 kW
492	1.5 kW	3 kW	1.5 kW	3 kW
493	1.5 kW	3 kW	2 @ 1.5 kW	3 kW
494	2 @ 1.5 kW	3 kW	2 @ 1.5 kW	3 kW
495	2 @ 1.5 kW	3 kW	3 @ 1.5 kW	4.5 kW
496	3 @ 1.5 kW	4.5 kW	4 @ 1.5 kW	6 kW

1. Required kW is the amount of heat needed to maintain +40°F basin water temperature at the indicated ambient air temperature.
2. Tank heaters shown are 120 volts, single-phase.
3. Component heaters shown are 480 volts, three-phase. Options or special heater selections may add several weeks to delivery.
4. Heaters do not operate continuously. Heaters cycle on and off automatically as basin water temperature dictates.
5. Contact your Marley sales representative for selections appropriate for other ambient conditions than those shown here.

Drain-Down Capacity		
Tower Model	Range of Tower Design GPM	Maximum Drain-Down gallons
490	15 - 26	28
	27 - 51	30
	52 - 85	33
	86 - 153	36
492	21 - 53	49
	54 - 92	54
	93 - 151	60
	152 - 211	65
493	33 - 83	77
	84 - 144	84
	145 - 238	94
	239 - 328	101
494	60 - 141	134
	142 - 227	145
	228 - 376	162
	377 - 563	178
495	82 - 192	182
	193 - 270	192
	271 - 513	219
	514 - 763	241
496	104 - 196	228
	197 - 286	243
	287 - 497	271
	498 - 963	320

Volumes shown are maximums for the GPM ranges indicated. Actual volumes will usually be less. Contact your local Marley sales representative for more specific information.

Bottom Outlet Maximum GPM				
Tower Model	Outlet Diameter			
	4"	6"	8"	10"
492	120	225	225	na
493	120	270	350	na
494	140	310	350	625
495	140	310	350	850
496	140	310	350	850

1. Maximum GPM applies to both pump and gravity flow piping systems. The outlet piping on gravity flow systems must have sufficient vertical drop to overcome all other head losses in the system.
2. Bottom outlet is not available on 490 models.

■ Field Assembly

If you choose to assemble your Aquatower at the job site, your Aquatower will be shipped unassembled with complete assembly instructions.

The following table shows the sizes and weights of the largest Aquatower components for each model. You can use this information to plan your rigging and transportation needs.

Unassembled tower shipment may add 3 to 5 weeks to normal lead times. Your Marley sales representative will be glad to help you plan for your unique needs.

Component Sizes and Weights			
Tower Model	Component	Size inches	Weight lb
490A 490B	Collection Basin End	12 x 13 x 36	15
	Collection Basin Floor	3 x 30 x 32	23
	Front Panel	2 x 36 x 44	21
	Casing Panel	2 x 40 x 52	43
	Distribution Basin	8 x 16 x 32	18
492	Collection Basin End	14 x 16 x 48	24
	Collection Basin Floor	3 x 36 x 44	37
	Front Panel	2 x 48 x 68	52
	Casing Panel	2 x 26 x 63	34
	Distribution Basin	8 x 16 x 44	24
493	Collection Basin End	14 x 16 x 72	37
	Collection Basin Floor	3 x 36 x 68	56
	Front Panel	2 x 37 x 72	35
	Casing	2 x 26 x 63	34
	Distribution	8 x 16 x 68	37
494	Collection Basin End	18 x 18 x 72	47
	Collection Basin Floor	4 x 34 x 68	56
	Front Panel	2 x 44 x 72	41
	Casing Panel	2 x 40 x 76	63
	Distribution Basin	8 x 28 x 68	52
	Optional Discharge Side	2 x 41 x 77	37
	Optional Discharge Floor	9 x 45 x 68	46
	Collection Basin End	18 x 18 x 96	63
	Collection Basin Floor	4 x 34 x 92	75
	Front Panel	2 x 44 x 96	56
495	Casing	2 x 40 x 76	63
	Distribution Basin	8 x 28 x 92	70
	Optional Discharge Side	2 x 41 x 77	37
	Optional Discharge Floor	9 x 45 x 63	41
	Collection Basin End	18 x 18 x 120	79
	Collection Basin Floor	4 x 34 x 116	95
496	Front Panel	2 x 46 x 120	71
	Casing Panel	2 x 40 x 84	69
	Distribution Basin	8 x 28 x 116	88
	Optional Discharge Side	2 x 45 x 77	38
	Optional Discharge Floor	9 x 45 x 77	54

Option	Description
200V Motor	Available for 1 hp thru 7.5 hp.
Special Motors	Two-speed, one-wind, 460 volt, 60 cycle, 3 phase, TEFC motors are available for 5 and 7.5 horsepower.
Field Assembly	Where unique space restrictions or rigging conditions demand, Aquatowers can be shipped ready for field assembly by others. Complete step-by-step assembly instructions are provided.



Vertical Discharge Hood	<p>This option is available on Models 494 and larger. It provides vertical discharge of the air leaving the tower. Hoods are galvanized steel. They ship separately for installation by others. A large access door provides entry to the fan and mechanical equipment.</p> <p>For use in restrictive enclosures or other site situations where horizontal discharge is not desirable. CTI Certification does not apply when this option is selected.</p>
-------------------------	---

Option	Description
Component Basin Heaters	Standard heater components consist of 3 or 5 kW, 3 phase, 460 volt, shielded immersion heater; solid state circuitry for cut-off at low water level or high temperature; a control probe to monitor basin water temperature and water level; and a magnetic contactor all housed in a weatherproof enclosure. Components are shipped separately for installation and wiring by others. Designed to prevent sump freezing during shutdown periods in winter operation. Unnecessary if you use an indoor tank. Special heater characteristics result in extended lead times.

Pre-assembled Basin Heaters	Tank-type submersible heaters are available for all models. No tower modifications are necessary and heater includes a 6-foot electrical cord with grounded 3-prong plug for connection to a standard 120V source. One or more 1.5 kW elements provide protection at most ambient conditions. The built-in thermostat maintains 40°F water while the built-in safety switch shuts off power if the heater element is not submerged.
-----------------------------	---

Stainless Steel Construction	All Aquatower models are available with stainless steel structure. Or you can choose a galvanized tower with a stainless steel cold water collection basin. Your Marley sales representative can help you choose the amount of corrosion resistance necessary for your installation.
------------------------------	--

Control System	Factory-installed control center in NEMA 3R enclosure mounted on tower casing. Complete with thermostat controller for single or two-speed motors to maintain chosen cold water temperature.
----------------	--

**Base:** Furnish and install an induced-draft, crossflow, factory-assembled, steel cooling tower of \_\_\_\_ cell(s), as shown on plans. Tower shall be similar and equal in all respects to Marley Aquatower, Model \_\_\_\_\_. Tower must be warranted by the manufacturer for one year from date of shipment.

**Performance:** Tower shall cool \_\_\_\_ GPM of water from \_\_\_\_ °F to \_\_\_\_ °F at a design entering air wet-bulb temperature of \_\_\_\_ °F and its thermal rating shall be certified by the Cooling Technology Institute.

**Construction:** Structural components of the tower, including the cold water basin, framework, mechanical equipment supports, casing, hot water basin, and fan cylinder shall be fabricated of heavy-gauge steel, protected against corrosion by G-235 galvanizing per ASTM A-653. All components subjected to factory welding shall be hot dip galvanized after fabrication per ASTM A-123. Cold galvanizing is not acceptable.

**Motor:** Motor(s) shall be \_\_\_\_ hp, Totally Enclosed, specially insulated for cooling tower duty. Speed and electrical characteristics shall be 1800 (or 1800/900) RPM, single-winding, \_\_\_\_ phase, \_\_\_\_ hertz, \_\_\_\_ volts. The motor must be located out of the saturated discharge air stream.

**Mechanical Equipment:** Fan(s) shall be adjustable-pitch propeller type. Fan shall be driven through V-belt(s) with a minimum service factor of 1.5 based on full motor hp and protected with a belt guard. The fan and fan pulley shall be supported by oil lubricated tapered roller bearings in a cast iron housing with externally accessible remote oil reservoir for easy maintenance.

**Fill, Louvers and Drift Eliminator:** Fill shall be film-type, thermoformed PVC, with louvers and drift eliminator formed as part of each fill sheet. Fill shall be suspended from hot dip galvanized structural tubing supported from the upper tower structure, and shall be elevated above the floor of the cold water basin to facilitate cleaning. Air inlet faces of the tower shall be free of water splash-out. Guaranteed drift losses shall not exceed 0.005% of the design GPM.

**Hot Water Distribution System:** An open basin above the fill bank shall receive hot water piped to each cell of the tower. The basins shall be equipped with removable covers to keep out debris. This basin shall be installed and sealed at the factory. Water shall enter the basin through a removable wave-suppressor splash box. The basin shall be no less than 6<sup>3</sup>/<sub>8</sub>" deep to provide adequate freeboard against overflow and splash-out. Removable and replaceable polypropylene nozzles installed in the floor of the basin shall provide full coverage of the fill by gravity flow. Nozzles must all have the same orifice size and be spaced symmetrically in both longitudinal and transverse directions.

**Cold Water Basin and Accessories:** The cold water basin shall be factory sealed. For maximum installation flexibility, basin accessories shall include both a side suction connection and a hole and bolt circle in the basin floor suitable for gravity flow. Both connections shall include a debris screen and anti-cavitation device. A factory-installed, float-operated, mechanical makeup valve shall be included, having a ¾" diameter inlet connection.



SPX COOLING TECHNOLOGIES, INC  
7401 WEST 129 STREET  
OVERLAND PARK, KANSAS 66213  
UNITED STATES  
913 664 7400 | [spxcooling@spx.com](mailto:spxcooling@spx.com)  
[spxcooling.com](http://spxcooling.com)

In the interest of technological progress,  
all products are subject to design and/or  
material change without notice.  
©2011 SPX | Printed in USA  
AQ-11