

## Introduction

The MCT version has been designed for all environments where false ceilings are not featured or cannot be constructed.

The cover cabinet fits perfectly to the air intake and outlet diffuser, maintaining the appealing design that defines the SkyStar series. The water fittings can be turned to point upwards.

The MCT series includes 6 models, with an installation height of up to 5 m, thanks to the highly flexible adjustment of the air distribution louvers.

All the technical specifications described on the previous pages remain the same, while keeping in mind that the MCT series features one heat exchange coil only (two-pipe systems), without the possibility of primary air or additional electric heater coil.

The MCT version features a special casing delivered in separate packaging; this must only be fitted after having installed the SkyStar unit and completed the water and electrical connections.

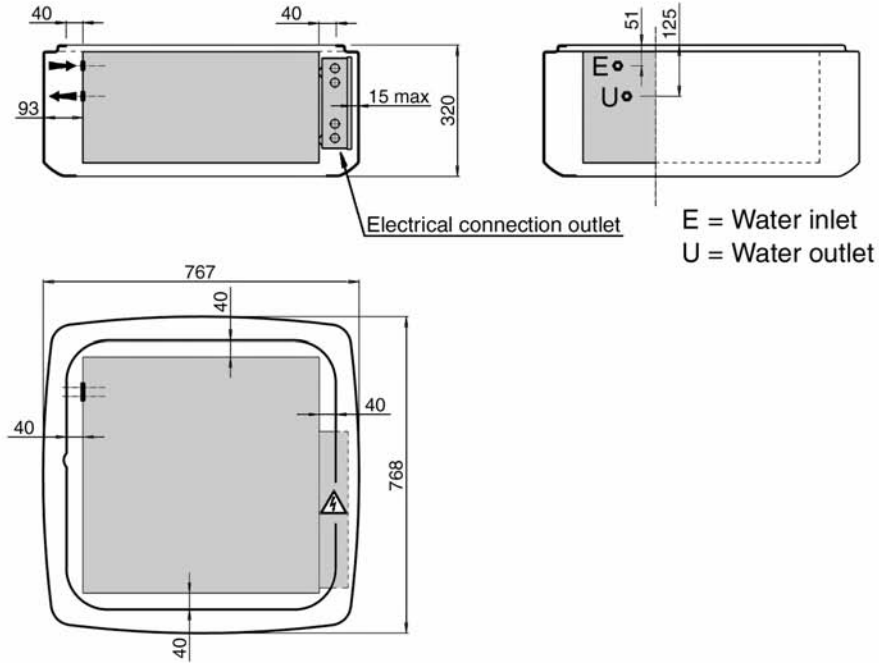


Dimensions and Weights

**SK 12-MCT / SK 22-MCT / SK 32-MCT**

Casing code: 9079240

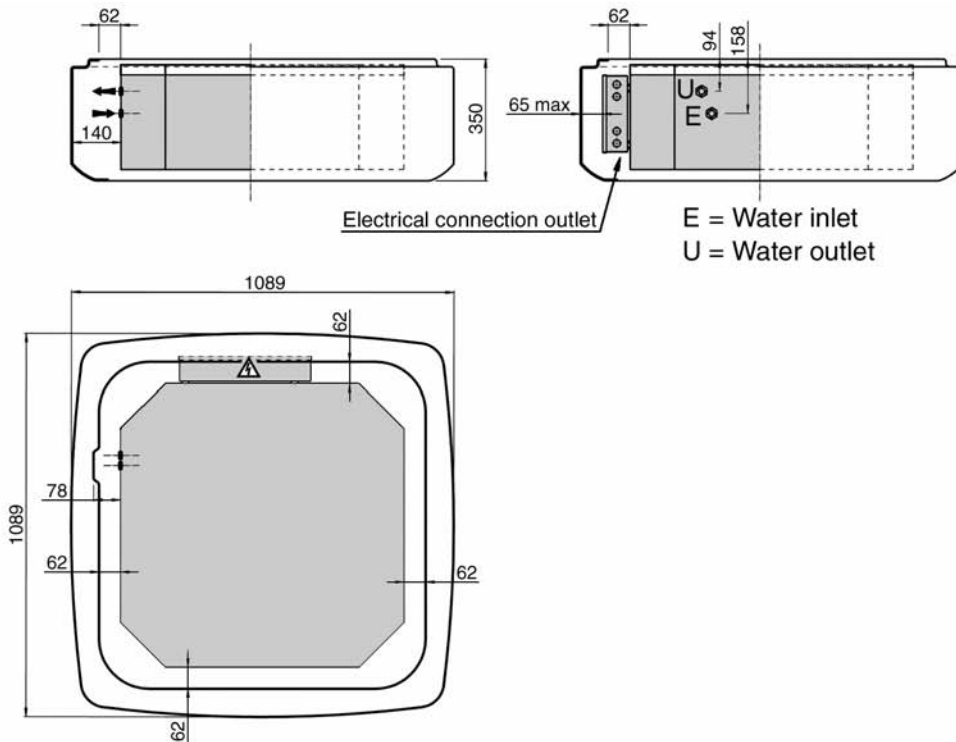
Casing weight: 5 kg (7,5 kg with the packaging)



**SK 42-MCT / SK 52-MCT / SK 62-MCT**

Casing code: 9079250

Casing weight: 10,5 kg (13,5 kg with the packaging)



**Warning:** the electrical and water connections must enter the unit from above and must not interfere with the casing.

Assembly diagram



**SK 12-MCT / SK 22-MCT / SK 32-MCT**

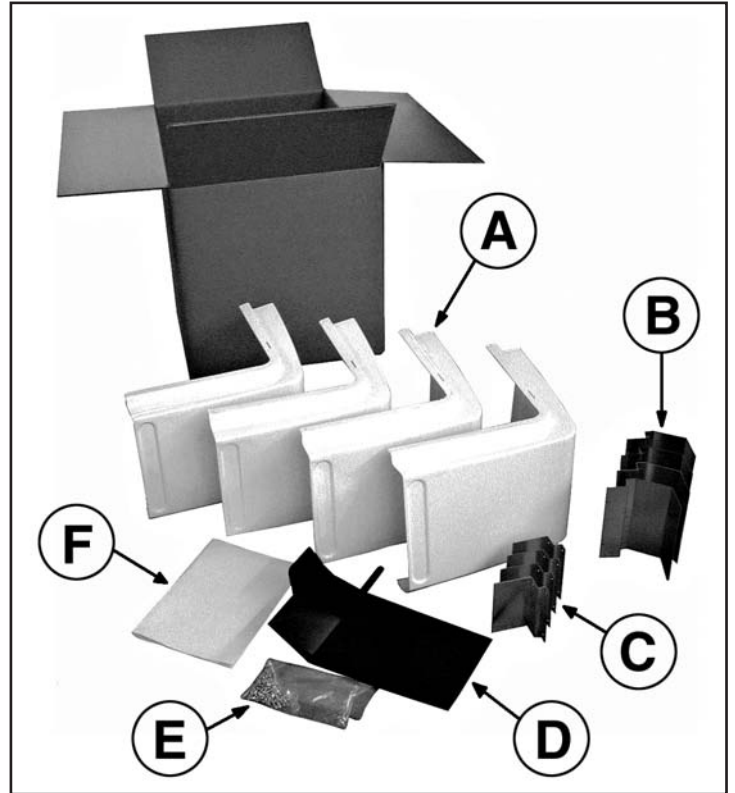
**SK 42-MCT / SK 52-MCT / SK 62-MCT**



### Components of the casing

The casing includes:

- A** – 4 corner covers
- B** – 4 bottom brackets
- C** – 4 top brackets
- D** – Condensate collection tray
- E** – Hardware (45 3.9x9.5mm TCX screws)
- F** – Instruction sheet

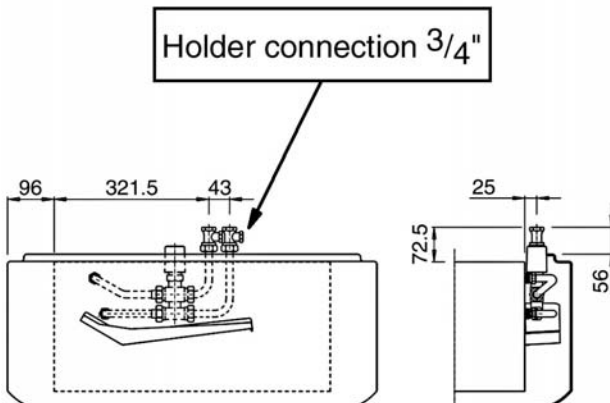


### Valve kit

The valve fittings allow the water pipes to be connected from above.

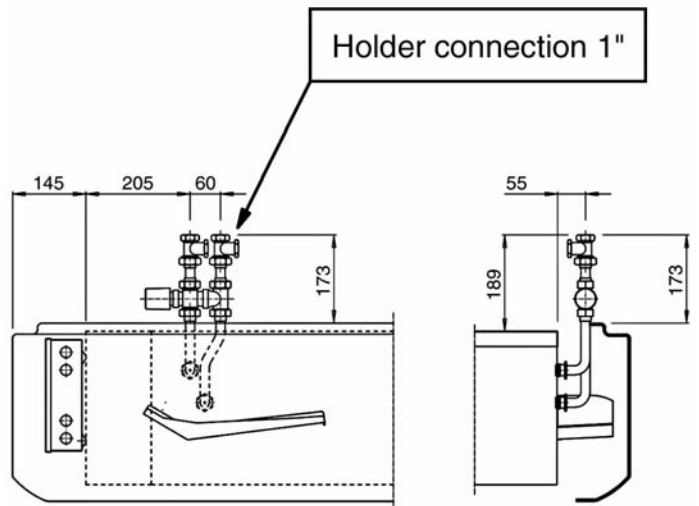
**SK 12-MCT / SK 22-MCT / SK 32-MCT**

Code 9079155



**SK 42-MCT / SK 52-MCT / SK 62-MCT**

Code 9079156



For the specifications of the valves, see page 17