

# Dehumidifier Aquasorb **AQ-30B, -31B, -31L**



*Dehumidifying capacity at 20°C / 60%RH*

**0.85 - 1.55 kg/h**

*Dry air flow*

**330 - 370 m<sup>3</sup>/h**

- Condenses out the moisture
- Stainless steel chassis
- Washable rotor
- Dry air outlet duct connection
- Operates at dew points below 0°C
- Pump for condensate water

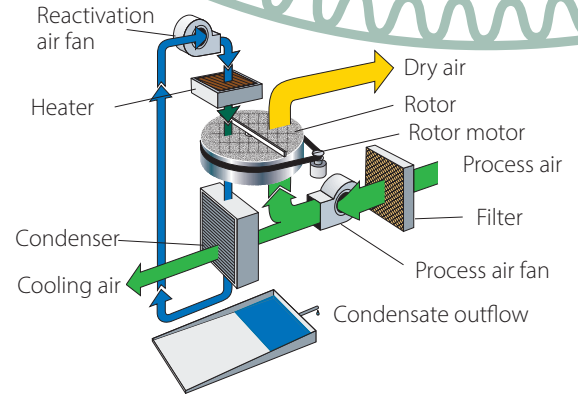


*Section of a dehumidifier rotor from Seibu Giken. The high number of channels means that moisture is adsorbed with extra efficiency.*

*World leaders in dehumidification.*

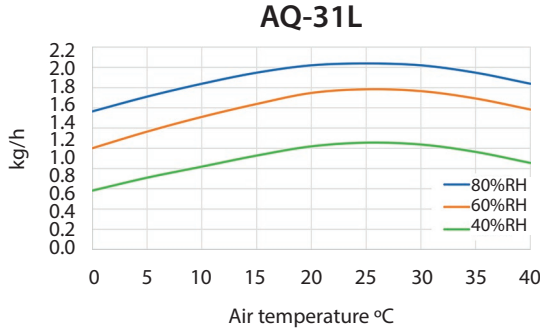
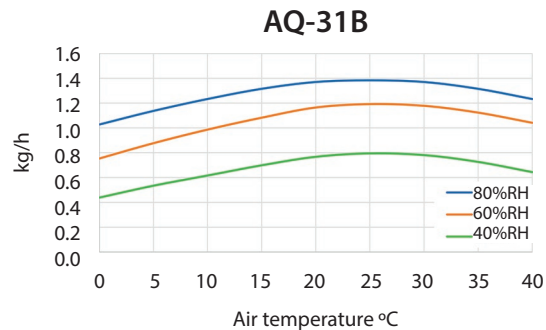
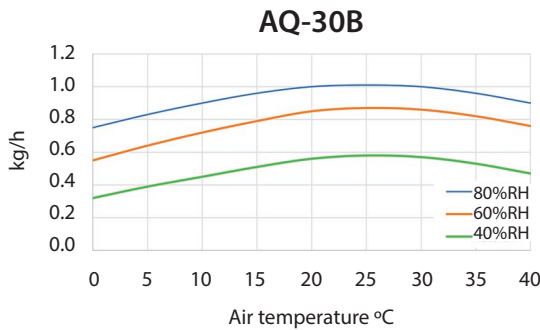
# TECHNICAL DATA

Dehumidifier model	AQ-30B	AQ-31B	AQ-31L
Nominal capacity <sup>1</sup> (kg/h)	0.85	1.15	1.55
Dry airflow <sup>2</sup> (m <sup>3</sup> /h)	370	330	330
External static pressure dry air [Pa]	100	100	100
Maximum electric consumption (kW)	1.8	2.2	2.9
Supply fuse 230V / 50Hz (A)	10	10	16
Weight (kg)	34	38	38



<sup>1</sup> Valid for inlet conditions 20°C/60%RH. For other inlet conditions, the capacity can be calculated by using the diagram shown below.  
<sup>2</sup> Volume flow for density 1.20 kg/m<sup>3</sup>.

# CORRECTION DIAGRAM



The temperature of the dry air at nominal air flows is calculated by:

**AQ-30B**

$$t_{out} = t_{in} + 6^{\circ}\text{C}$$

**AQ-31B**

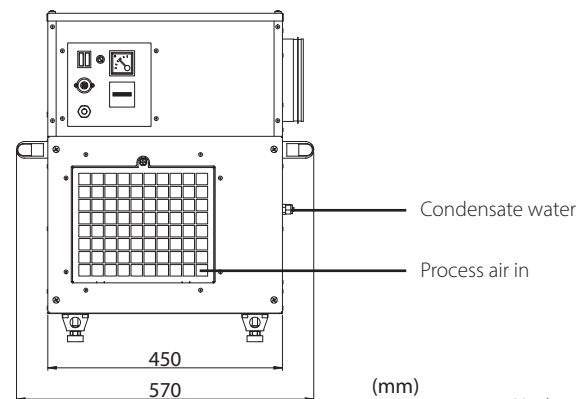
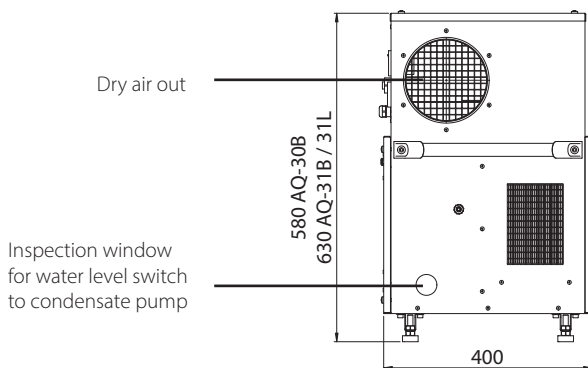
$$t_{out} = t_{in} + 14^{\circ}\text{C}$$

**AQ-31L**

$$t_{out} = t_{in} + 15^{\circ}\text{C}$$

# DIMENSIONS

Subject to change without notice. Download installation drawing at [www.dst-sg.com](http://www.dst-sg.com)



Updated 18.12



Sweden | +46 8 445 77 20  
 info@dst-sg.com | www.dst-sg.com