

# Dehumidifier Consorb DC-5



*Dehumidifying capacity at 20°C / 60%RH*

**0.5 kg/h**

*Dry air flow*

**120 m<sup>3</sup>/h**

- Wide temperature range: -20°C to +55°C
- Easy to place
- Low weight
- Washable rotor
- No desiccant carry-over
- Stainless steel chassis
- Self-regulating heater
- Easy to maintain
- Long lifetime



*Section of a dehumidifier rotor from Seibu Giken. The high number of channels means that moisture is adsorbed with extra efficiency.*

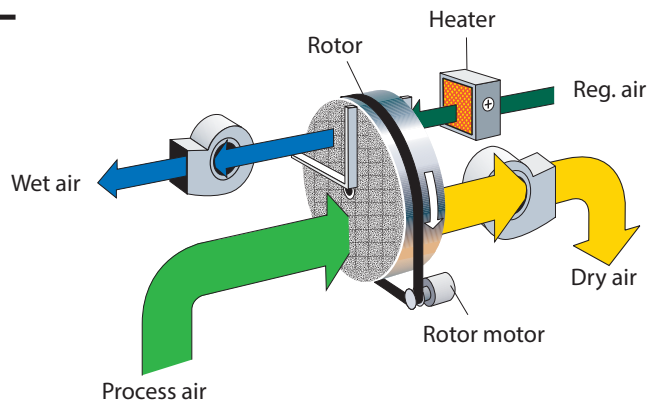
*World leaders in dehumidification.*

# TECHNICAL DATA

Dehumidifier model	DC-5
Nominal capacity <sup>1</sup> (kg/h)	0.5
Dry air flow <sup>2</sup> (m <sup>3</sup> /h)	120
at external static pressure (Pa)	50
Wet air flow <sup>2</sup> (m <sup>3</sup> /h)	40
at external static pressure (Pa)	30
Heater current <sup>3</sup> [A]	4.4
Total power (kW)	1.1
Supply fuse 230V / 50Hz (A)	10
Weight (kg)	10

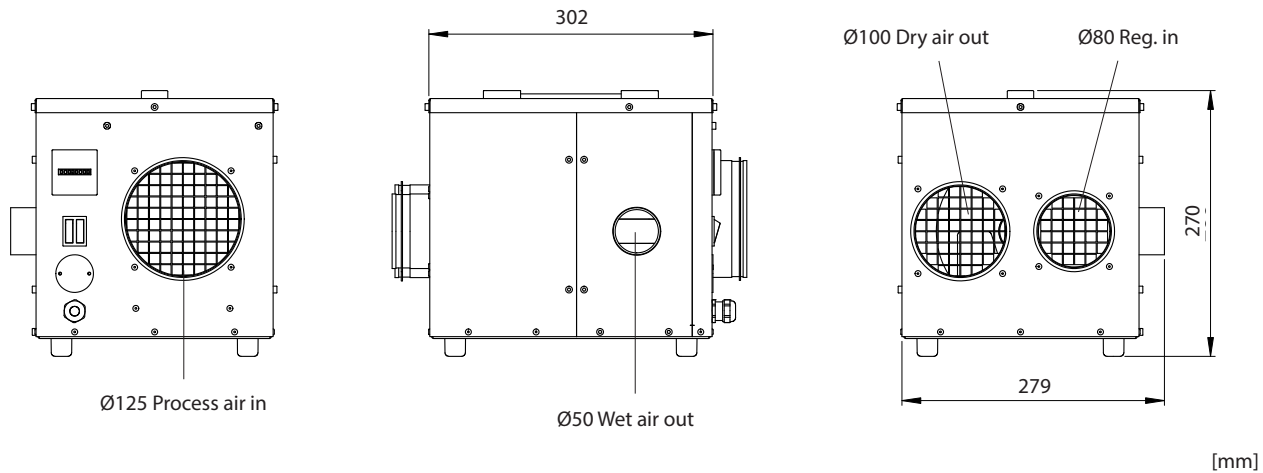
1. Valid for inlet conditions 20°C / 60%RH.
2. Volume flow for density 1.20 kg/m<sup>3</sup>.
3. The design of the PTC heater enables the power to be regulated by controlling the wet air flow.

## PRINCIPLE



## DIMENSIONS

Subject to change without notice. Download installation drawing at [www.dst-sg.com](http://www.dst-sg.com)



Updated 18.12



Sweden | +46 8 445 77 20  
[info@dst-sg.com](mailto:info@dst-sg.com) | [www.dst-sg.com](http://www.dst-sg.com)