

# Dehumidifier Recusorb **DR-20B / 30D**



*Dehumidifying capacity at 20°C / 60%RH*

**0.8 - 1.1 kg/h**

*Dry air flow*

**330 - 360 m<sup>3</sup>/h**

- Washable rotor
- Protected control panel
- Stainless steel chassis
- Self-regulating heater
- Fold-flat handle
- Long lifetime
- Easy access to filter

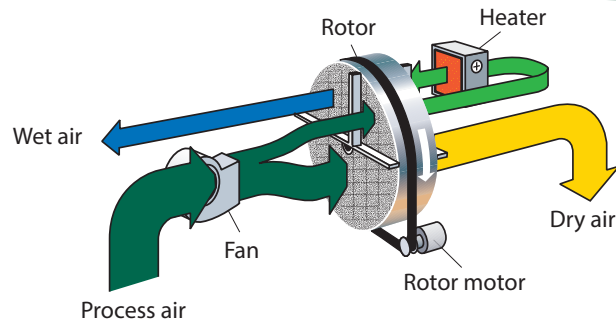


*Section of a dehumidifier rotor from Seibu Giken. The high number of channels means that moisture is adsorbed with extra efficiency.*

*World leaders in dehumidification.*

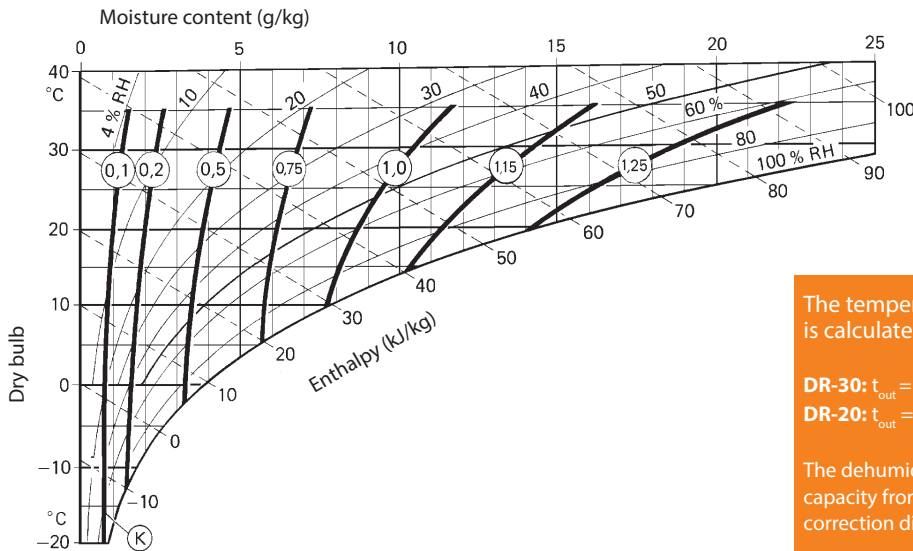
# TECHNICAL DATA

Dehumidifier model	DR-20B	DR-30D
Nominal capacity <sup>1</sup> (kg/h)	0.8	1.1
Dry air flow <sup>2</sup> (m <sup>3</sup> /h)	330	360
Wet air flow <sup>2</sup> (m <sup>3</sup> /h)	60	75
Heater current <sup>3</sup> (A)	4.5	6.5
Maximum electric consumption (kW)	1.2	1.7
Supply fuse 230V / 50Hz (A)	10	10
Weight (kg)	15	17



1. Valid for inlet conditions 20°C / 60%RH. For other inlet conditions the capacity can be calculated by using the correction factor from the diagram shown below.
2. Volume flow for density 1.20 kg/m<sup>3</sup>. Free blowing.
3. The design of the PTC heater enables the power to be regulated by controlling the wet air flow.

## CORRECTION DIAGRAM



The temperature of the dry air at nominal air flows is calculated by:

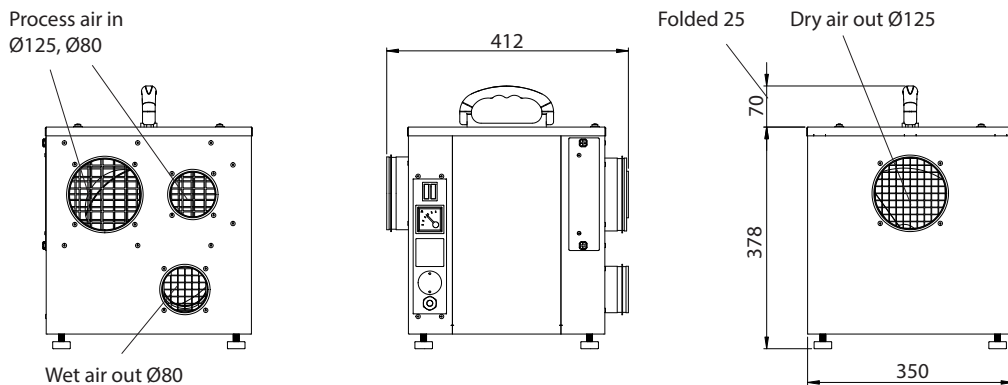
**DR-30:**  $t_{out} = t_{in} + ((K \times 10) + 3)^\circ\text{C}$

**DR-20:**  $t_{out} = t_{in} + ((K \times 7) + 3)^\circ\text{C}$

The dehumidifying capacity is estimated as the nominal capacity from above, multiplied by factor (K) from the correction diagram.

## DIMENSIONS

Subject to change without notice. Download installation drawing at [www.dst-sg.com](http://www.dst-sg.com)



Updated 18.12



Sweden | +46 8 445 77 20  
info@dst-sg.com | www.dst-sg.com