

# Dehumidifier Recusorb **DR-31 T10**



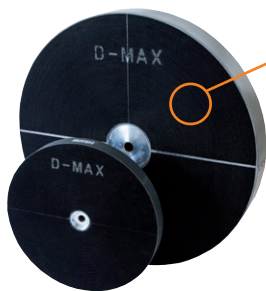
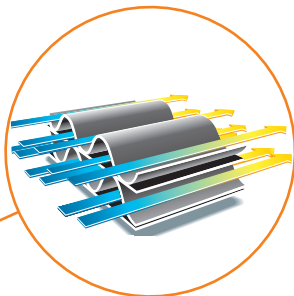
*Dehumidifying capacity at 20°C / 60%RH*

**1.6 kg/h**

*Dry air flow*

**310 m<sup>3</sup>/h**

- Washable rotor
- No desiccant carry-over
- Stainless steel chassis
- Self-regulating heater
- Easy to maintain
- Long lifetime

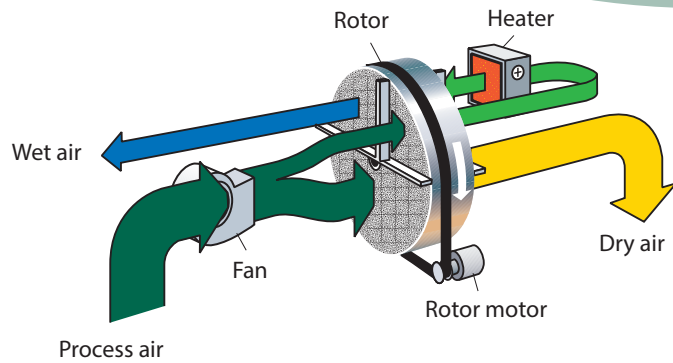


*Section of a dehumidifier rotor from Seibu Giken. The high number of channels means that moisture is adsorbed with extra efficiency.*

*World leaders in dehumidification.*

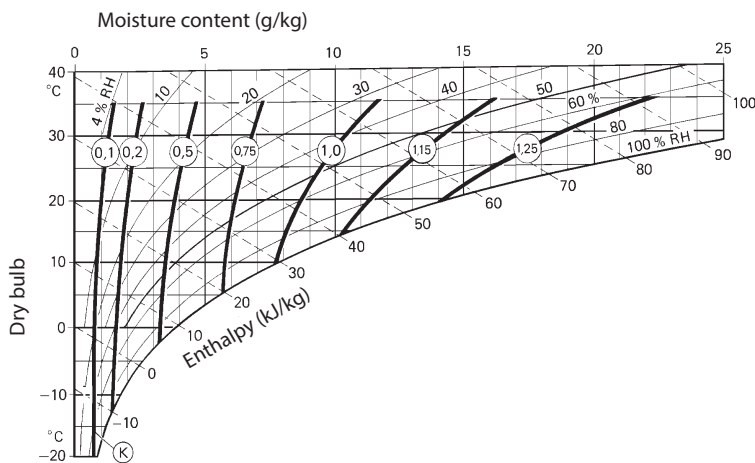
# TECHNICAL DATA

Dehumidifier model	DR-31 T10
Nominal capacity <sup>1</sup> (kg/h)	1.6
Dry air flow <sup>2</sup> (m <sup>3</sup> /h)	310
Static pressure at disposal (Pa)	350
Wet air flow <sup>3</sup> (m <sup>3</sup> /h)	110
Heater current <sup>4</sup> (A)	8
Maximum electric consumption (kW)	2.1
Supply fuse 230V / 50Hz (A)	10
Weight (kg)	28



1. Valid for inlet conditions 20°C/60%RH. For other inlet conditions the capacity can be calculated by using the correction factor from the diagram shown below.
2. Volume flow for density 1.20 kg/m<sup>3</sup>.
3. Volume flow for density 1.20 kg/m<sup>3</sup>. Free blowing.
4. The design of the PTC heater enables the power to be regulated by controlling the wet air flow.

# CORRECTION DIAGRAM



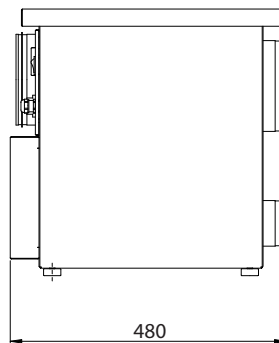
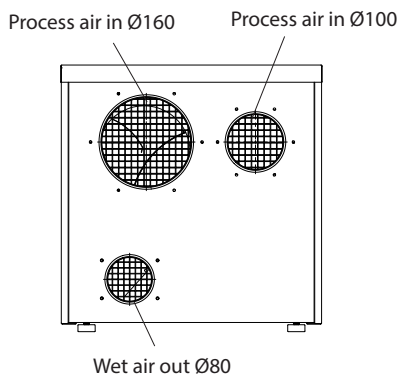
The temperature of the dry air at nominal air flows is calculated by:

$$t_{out} = t_{in} + (K \times 17) + 3$$

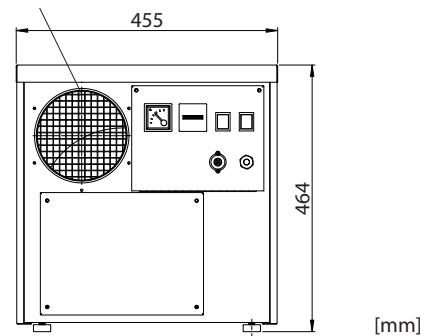
The dehumidifying capacity is estimated as the nominal capacity from above, multiplied by factor  $K$  from the correction diagram.

# DIMENSIONS

Subject to change without notice. Download installation drawing at [www.dst-sg.com](http://www.dst-sg.com)



Dry air out Ø160



[mm]

Updated 19.01



Sweden | +46 8 445 77 20  
info@dst-sg.com | www.dst-sg.com